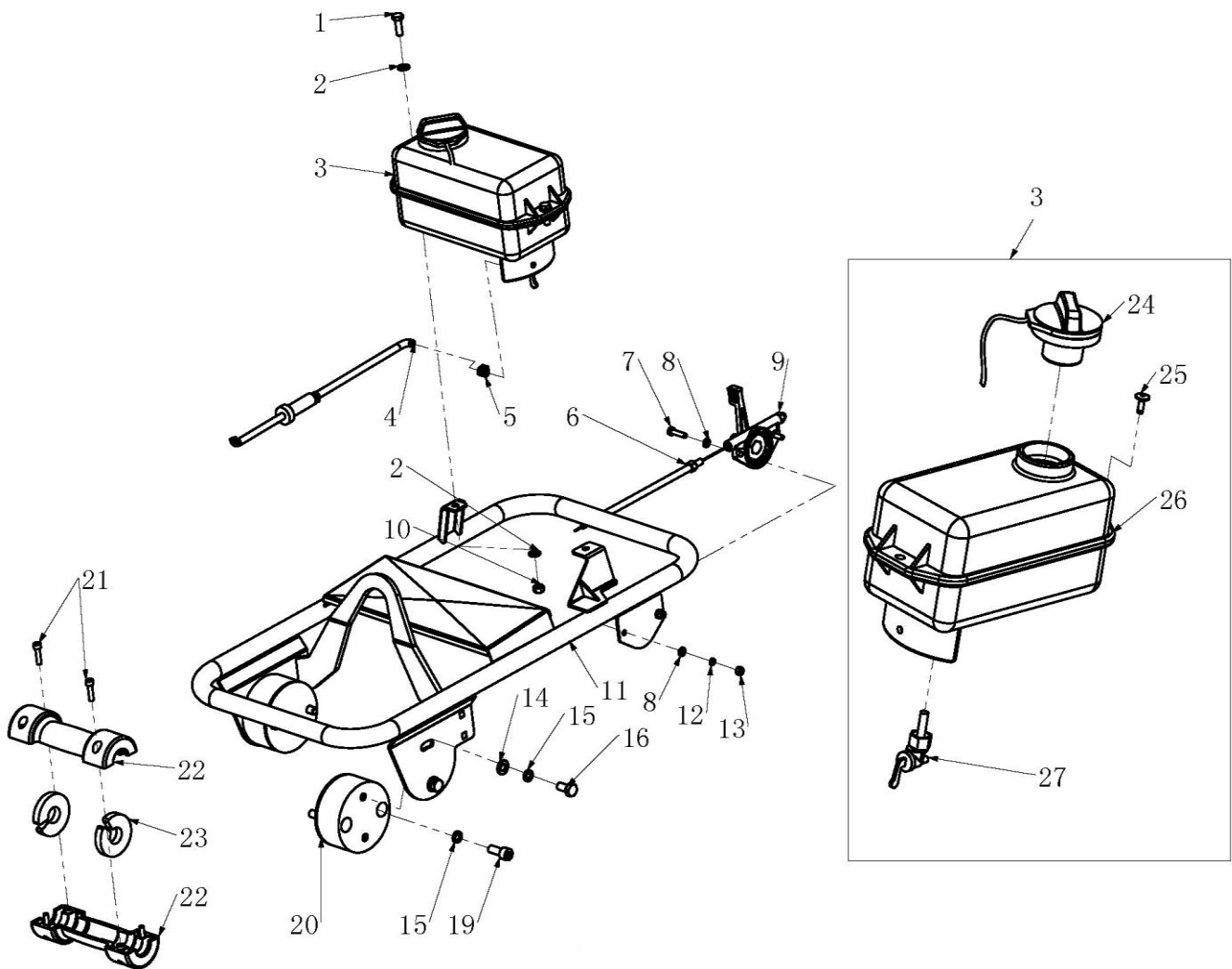


11. EXPLODED VIEWS

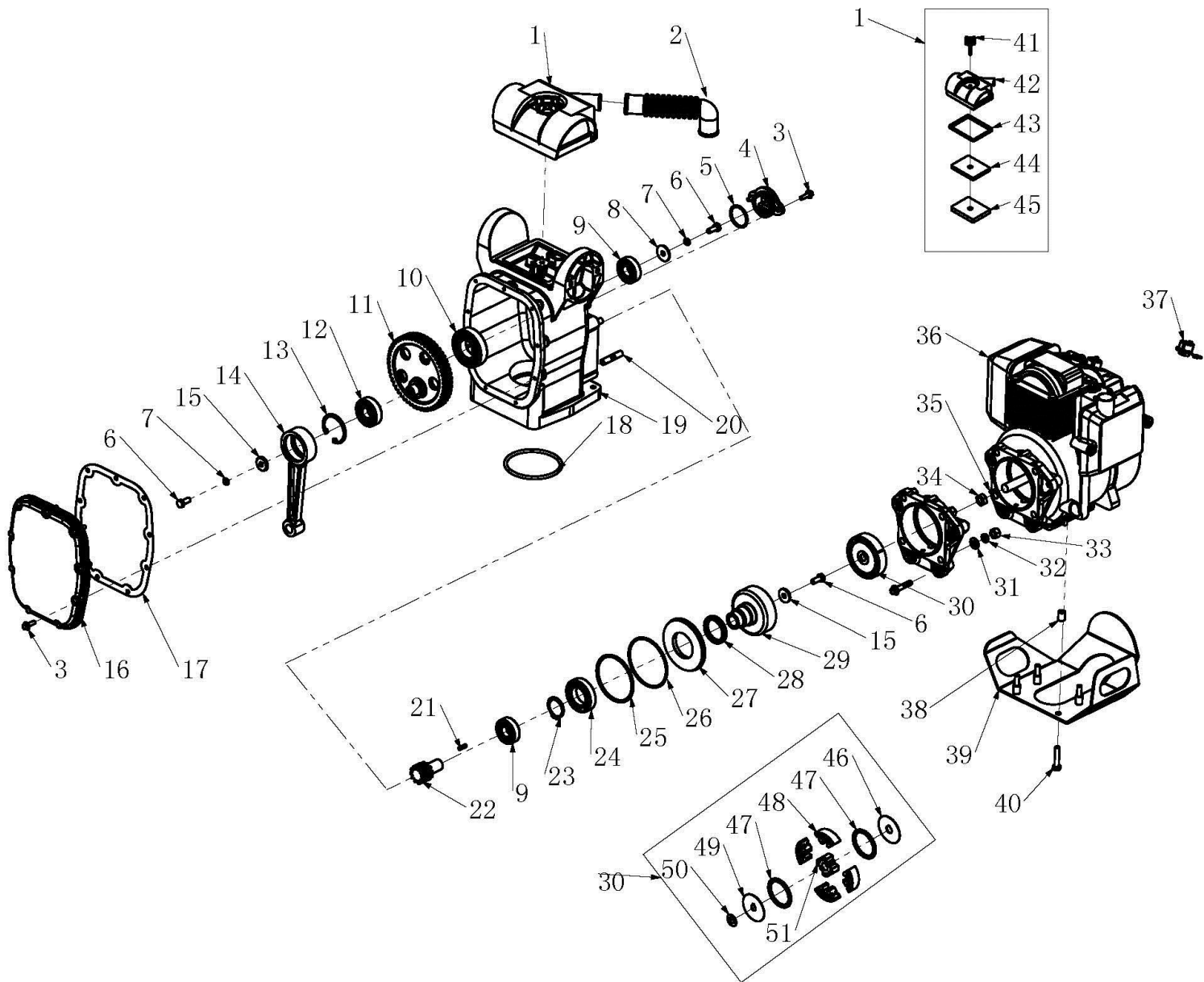
A) HANDLE AND FUEL TANK CV70H



A) HANDLE AND FUEL TANK CV70H

POS.	CODE	DESCRIPTION	QTY
1	151356	SCREW TE M8x25 8.8	2
2	151912	WASHER M8	4
3	570023	FUEL TANK, CAP AND FUEL TAP	1
4	570132	FUEL PIPE	1
5		TAP HOLDER	2
6	570188	THROTTLE CABLE AND SHEAT	1
6	570187	THROTTLE LEVER, CABLE AND SHEAT	1
7			
8			
9			
10	151082	LOCKING NUT M8	2
11	570215	HANDLE	1
12	151198	WASHER M6	2
13	152157	LOCKING NUT M8	2
14	151200	WASHER M10	4
15	152000	GROWER WASHER M10	8
16	151836	SCREW M10x20	4
19	151831	SCREW TCEI M10x25 8.8	4
20	132297	HANDLE SHOCKMOUNT	2
21	570179	ROLLER	1
22			
23			
24	182280	FUEL TANK CAP	1
25	151831	SCREW TCEI M 10x25 8.8 ZN	1
26		FUEL TANK	1
27+5	570145	FUEL TAP WITH HOLDER	1

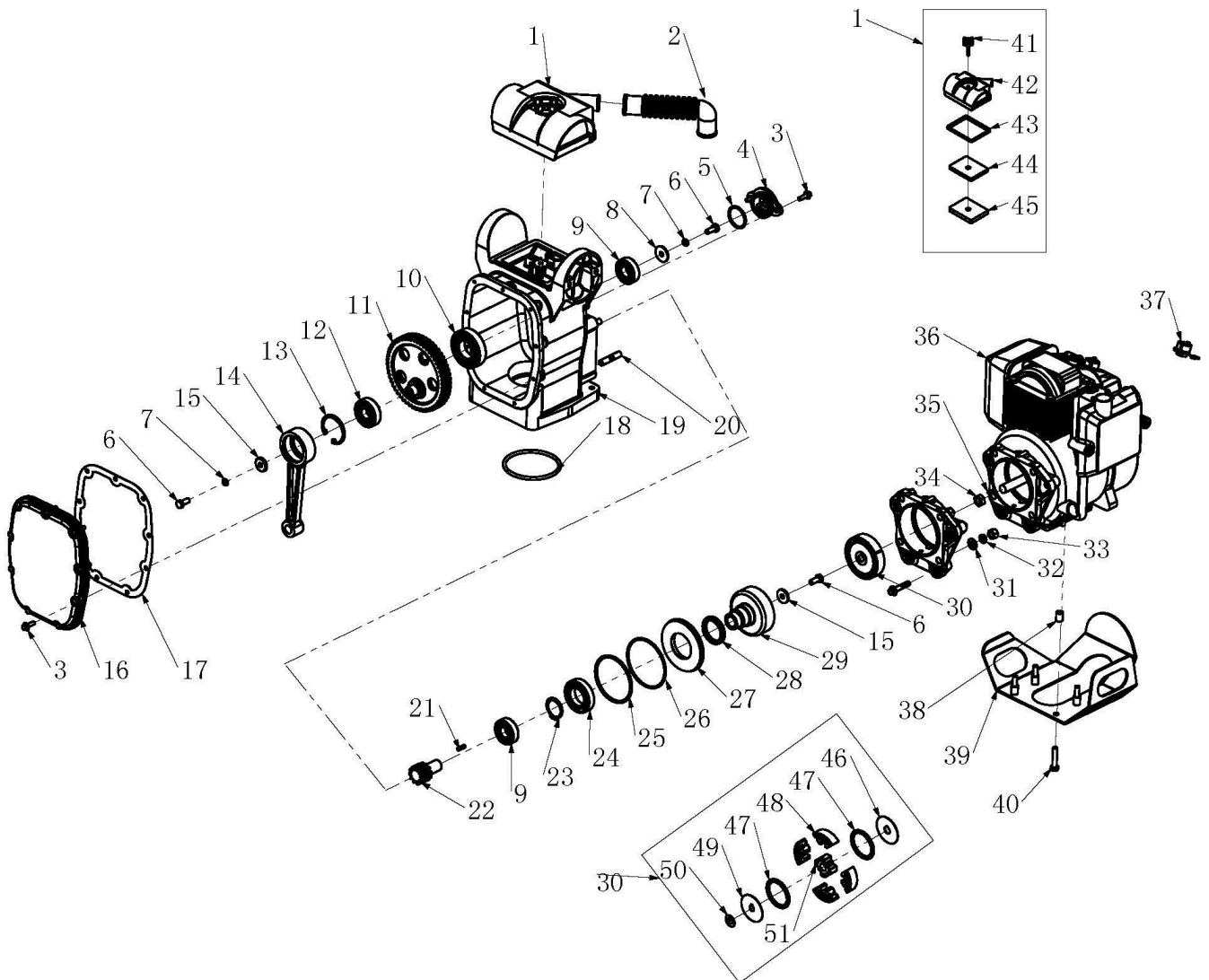
B) CRANK CASE



B) CRANK CASE

POS	CODE	DESCRIPTION	QTY
1	132348	AIR FILTER ASSEY	1
2	570177	INTAKE PIPE	1
3	151908	SCREW M6x20	11
4	132342	BEARING COVER	1
5	132343	ORING G35 43x3.1	1
6	152058	SCREW M8x20 12.9	3
7	151207	GROWER WASHER M8	2
8		WASHER M8x30x3	1
9	152263	BEARING 6204	2
10	152264	BEARING 6207	1
11	570197	CRANK GEAR	1
12	151113	BEARING 6304	1
13	151223	SEEGER Ø 52	1
14	570196	CONNECTING ROD	1
15		WASHER M8x26x4.5 HARDER	2
16	570195	CRANCK CASE COVER	1
17	131094	LIP PACKING COVER	1
18	132344	ORING Ø 97x5.3	1
19	570194	GEAR CASE	1
20	152064	SCREW M10x50	4
21	152310	KEY	1
22	570198	PINION	1
23	151390	SEEGER Ø 35	1
24	132345	BEARING 6007-Z	1
25	132335	ORING Ø 92x4	1
26	132304	ORING S-90 97x3.1	1
27	132346	CLUTCH SPACER	1
28	132329	OILSEAL TC-40528	1
29	152311	CLUTCH DRUM	1
30	152115	CENTRIFUGAL CLUTCH	1

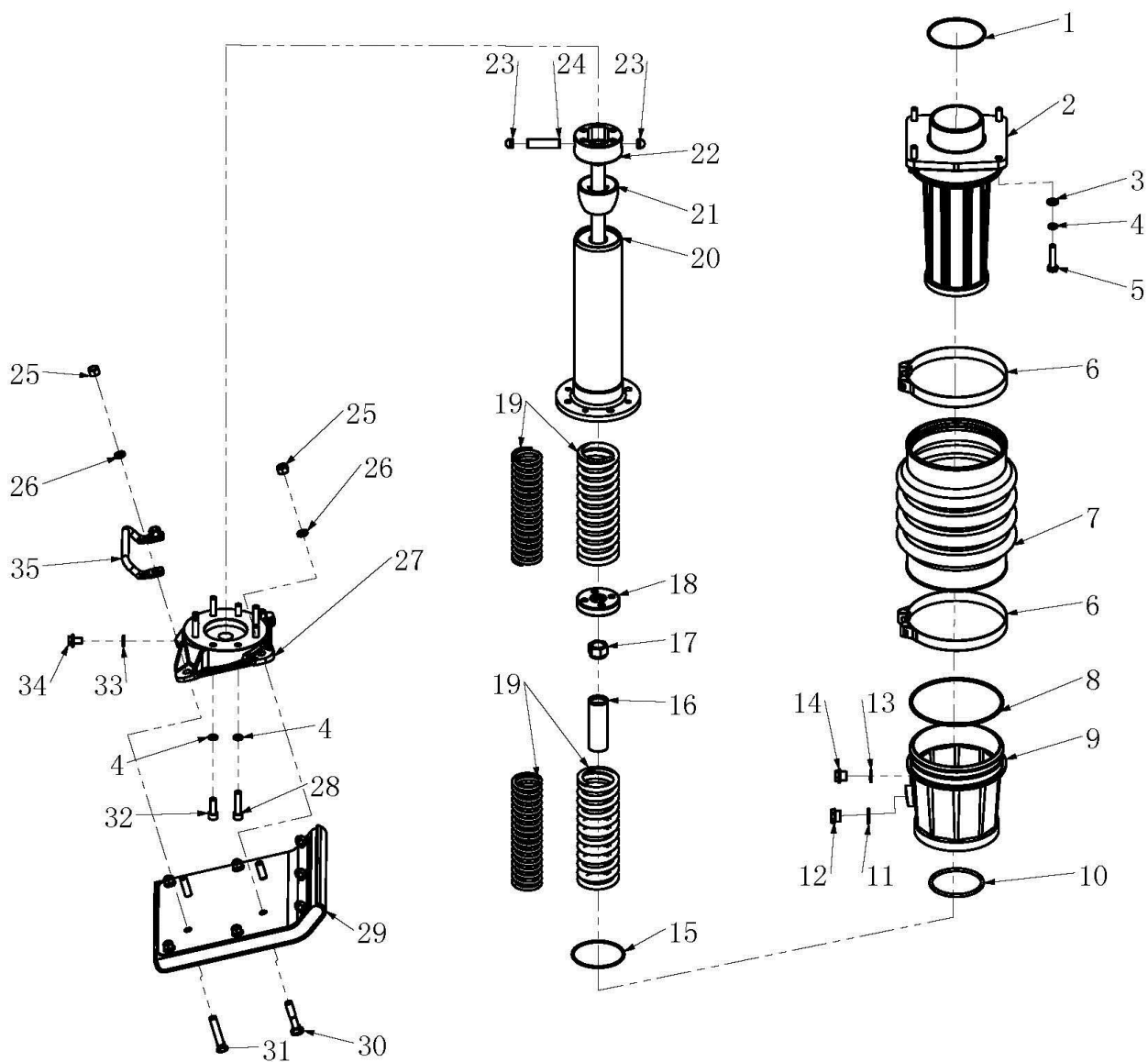
B) CRANK CASE



B) CRANK CASE

POS	CODE	DESCRIPTION	QTY
31	151200	WASHER M10	4
32	151085	NUT M10	4
33	151206	NUT M12	1
34	151206	NUT M12	1
35		KEY 4x13	1
36	182288	ENGINE	1
37		ON-OFF ENGINE SWITCH	1
38		ENGINE SPACER	1
39	570222	ENGINE PROTECTION	1
40	152076	SCREW M8x40	4
41	152320	GRIP BOLT	1
42	132347	AIR FILTER COVER	1
43	132312	AIR FILTER LIP PACKING	1
44	182283	GREY ELEMENT	1
45		YELLOW ELEMENT	
46	152318	CLUTCH WASHER SPACER	1
47		CLUTCH SPRING	
48		CLUTCH MASS	
49		CLUTCH WASHER SPACER	
50		NUT M10	
51		INNER CLUTCH	

C) CYLINDER AND RAMMER SHOE



C) CYLINDER AND RAMMER SHOE

POS.	CODE	DESCRIPTION	QTY
1	132349	ORING 106x3.1	1
2	570062	SPRING CILINDER	1
3	151200	WASHER M10	8
4	152000	GROWER WASHER M10	4
5	151775	SCREW M10x45	4
6	152301	BELLOW CLAMP	2
7	570170	BELLOW	1
8	152305	ORING G-95 172x4.3	1
9	570065	PISTON PROTECTION	1
10	132307	ORING JAS02085 100x5.3	1
11+12	152313	OIL LEVEL GAUGE WITH WASHER	1
13+14	152312	PLUG WITH WASHER	1
15	132304	ORING S-90 97x3.1	1
16	132326	LOWER STOPPER	1
17	132340	NUT RAMROD END	1
18	132327	END STROKE	1
19	152303	SPRINGS	2
20	570067	PISTON	1
21	132331	UPPER STOPPER	1
22+18	570159	RAMROD WITH END STROKE	1
23	132328	STOP PLUG	1
24	132330	PLUG	1
25	151992	LOCKING NUT M12	4
26	152153	WASHER M12	4
27	570223	SHOE ADAPTER	1
28	151319	SCREW M10x1.0x10	4
29	570182	SHOE	1
30	152304	SCREW M12x70	2
31	152305	SCREW M12x65	2
32	151318	SCREW TCEI M10x30 12.9	4
33	151200	WASHER M10	1
34		SCREW N10x1.0x10	1
35	570050	SHOE HANDLE	1

The exploded drawings are prepared for the explanation purpose, and the parts may not appear exactly as illustrated